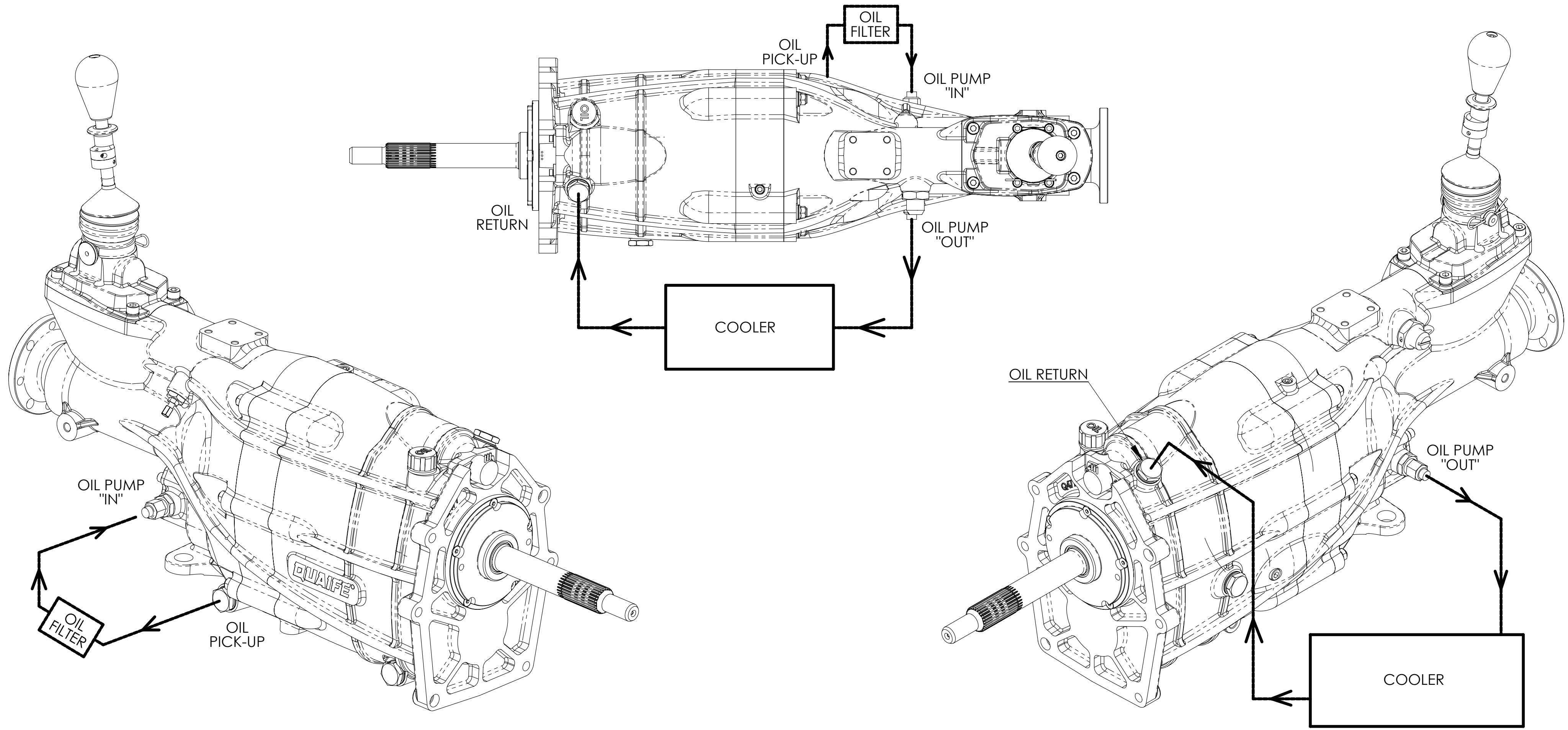
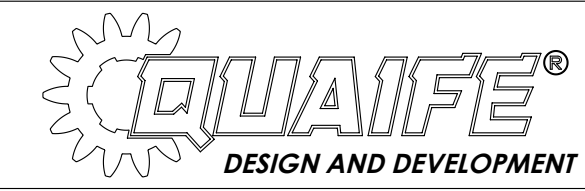


REMOVE FOR ORIGINAL



OIL SYSTEM SCHEMATIC



THIS DRAWING OR DESIGN IS STRICTLY CONFIDENTIAL AND THE COPYRIGHT THEREIN THE EXCLUSIVE PROPERTY OF R.T. QUAIFE ENGINEERING LTD. AND MAY NOT BE USED, COPIED OR EXHIBITED WITHOUT THEIR WRITTEN PERMISSION

UNLESS OTHERWISE STATED: ALL DIMENSIONS IN MILLIMETERS	TOLERANCES
	DIMENSIONS: 0 PLACES: ±0.25 1 PLACE: ±0.2 2 PLACES: ±0.1
GENERAL SURFACE FINISH: 1.6	ANGLES: ±0.25°
SHEET 1 OF 1	SCALE 1:2 U.O.S.

ISSUE: 01 DATE: 17.9.12 RELEASE DATE:
DRAWN BY: H.R. CHECKED BY: H.R.

MATERIAL:
BLANK SIZE:
HEAT TREATMENT:

FINISH:

DESCRIPTION:
GENERAL ASSEMBLY

PART No.: E-69G1-710

USED IN: QUAIFE EXTRA HD INLINE 6 SPEED DOGGED SEQ