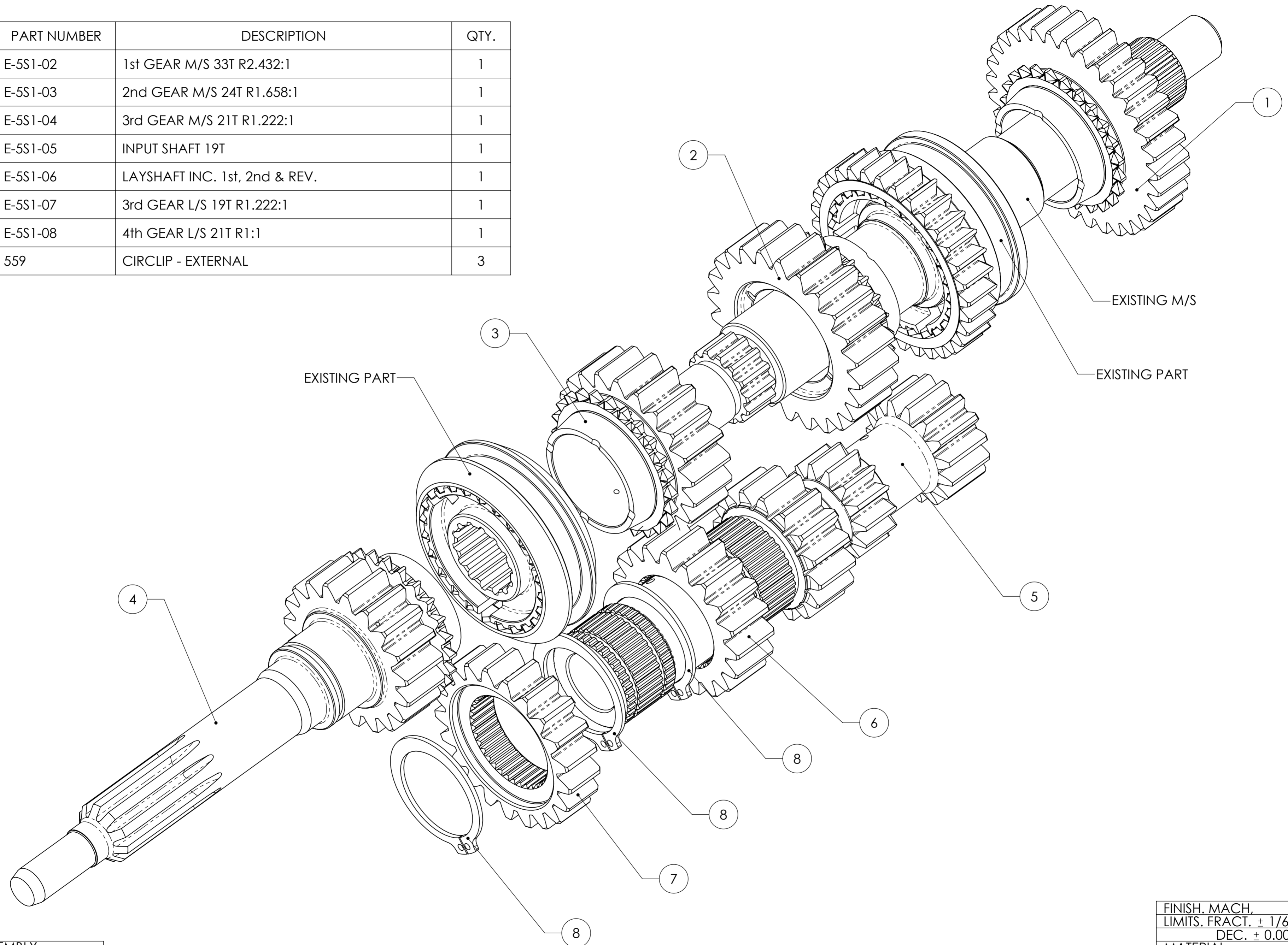


ITEM NO.	PART NUMBER	DESCRIPTION	QTY.
1	E-5S1-02	1st GEAR M/S 33T R2.432:1	1
2	E-5S1-03	2nd GEAR M/S 24T R1.658:1	1
3	E-5S1-04	3rd GEAR M/S 21T R1.222:1	1
4	E-5S1-05	INPUT SHAFT 19T	1
5	E-5S1-06	LAYSHAFT INC. 1st, 2nd & REV.	1
6	E-5S1-07	3rd GEAR L/S 19T R1.222:1	1
7	E-5S1-08	4th GEAR L/S 21T R1:1	1
8	559	CIRCLIP - EXTERNAL	3



TITLE	GENERAL ASSEMBLY
SCALE	1:1 U.O.S.
	SHEET 1 OF 1
Drg. No.	E-5S1-01

Quaife Design & Development.

IF IN DOUBT, ASK.

FINISH.	MACH.	GRIND@G
LIMITS.	FRACT.	± 1/64"
	DEC.	± 0.005"
MATERIAL.		
TREATMENT.		
ISSUE.	01	DATE. 1.2.06
DRAWN BY.	J.P.D.	
Used In.	VOLVO 4 SPEED SYNCHRO	