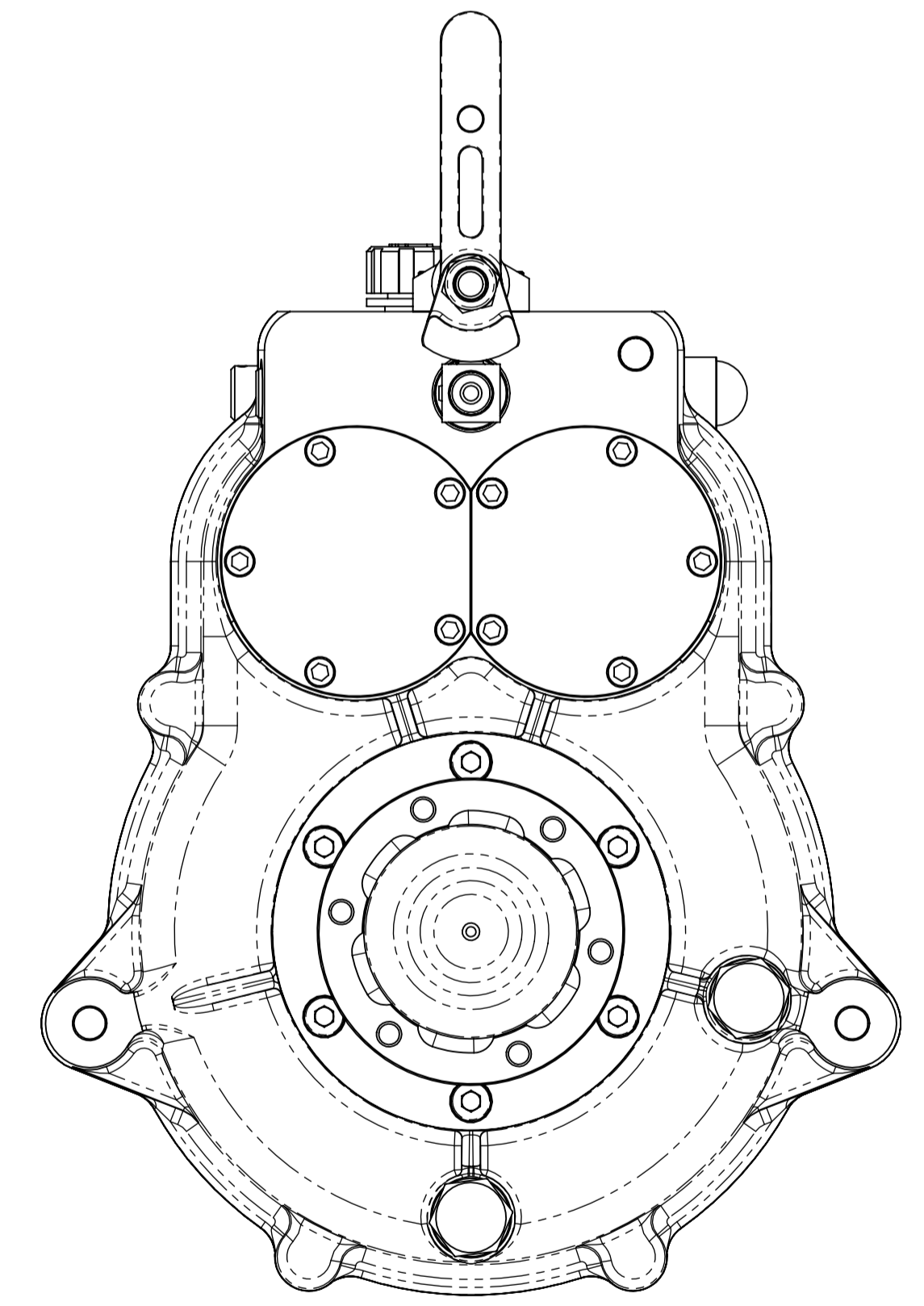
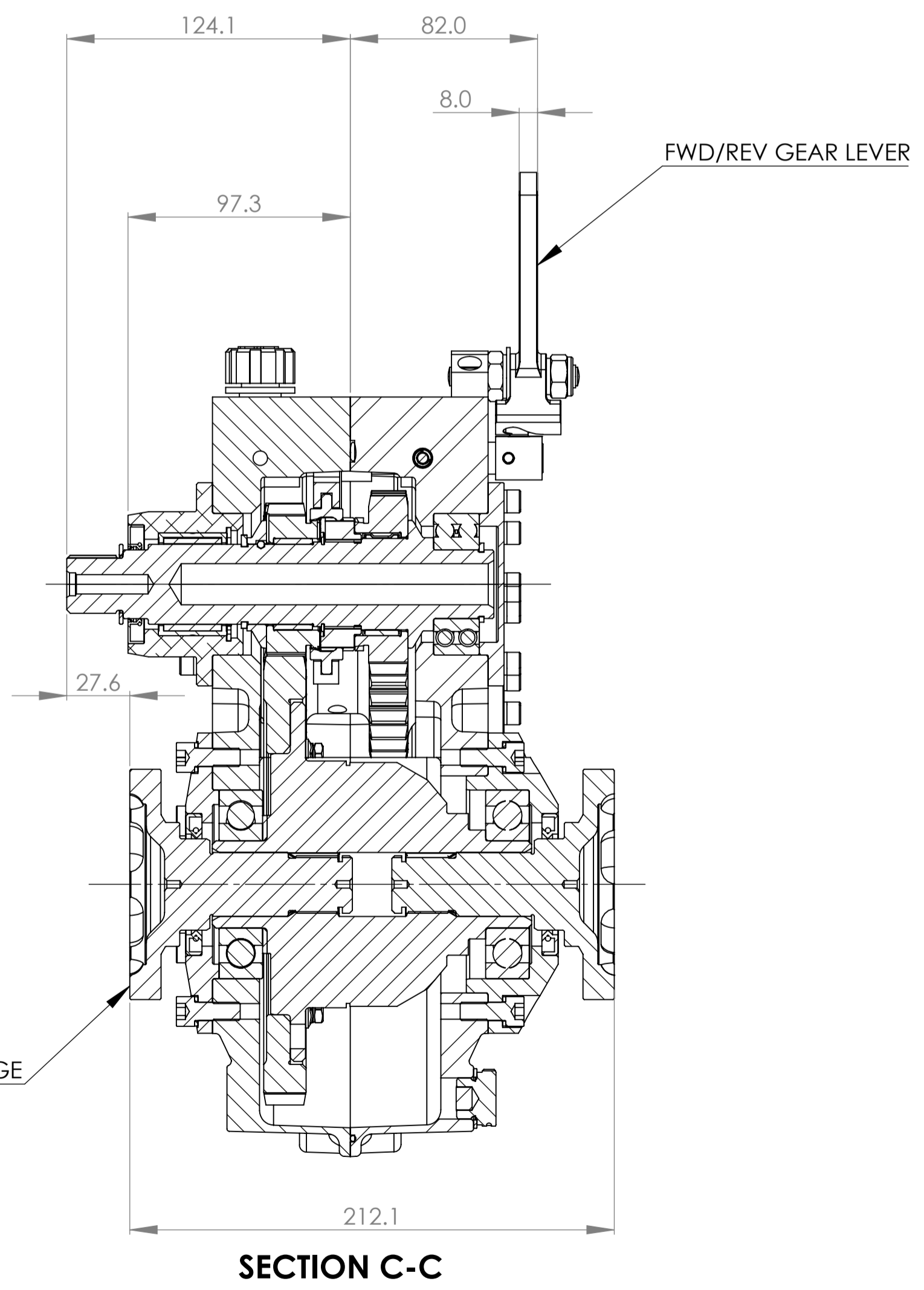
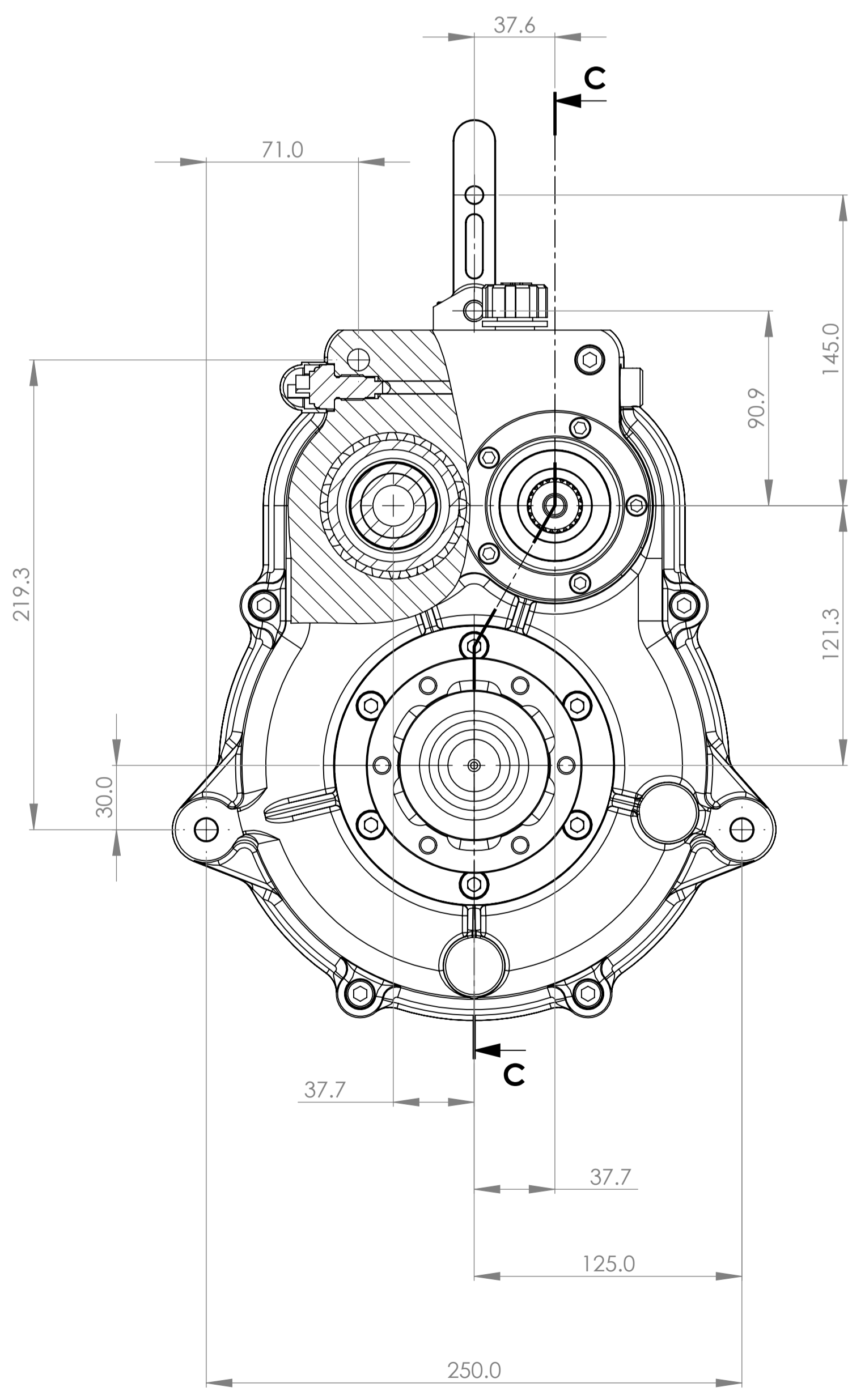
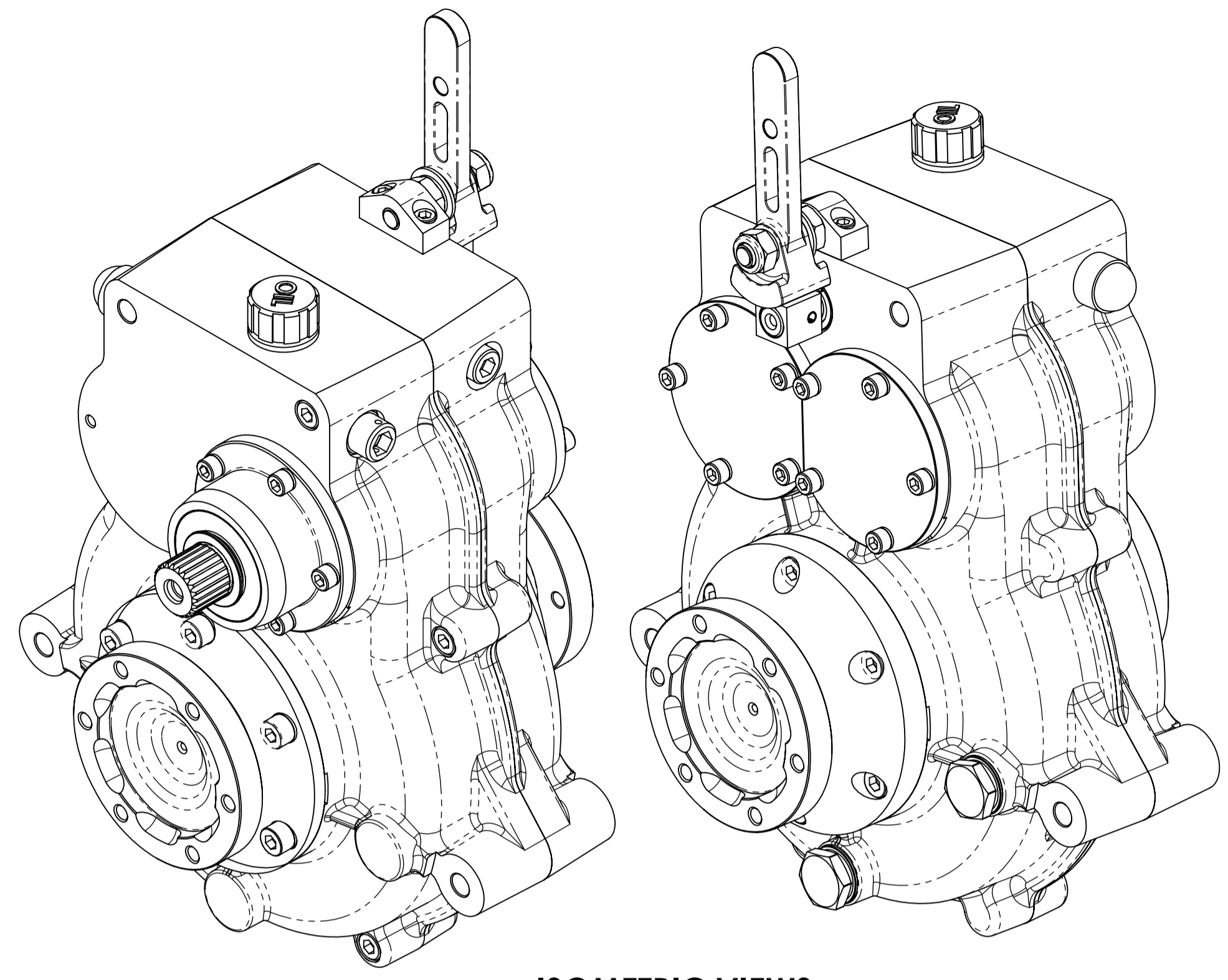
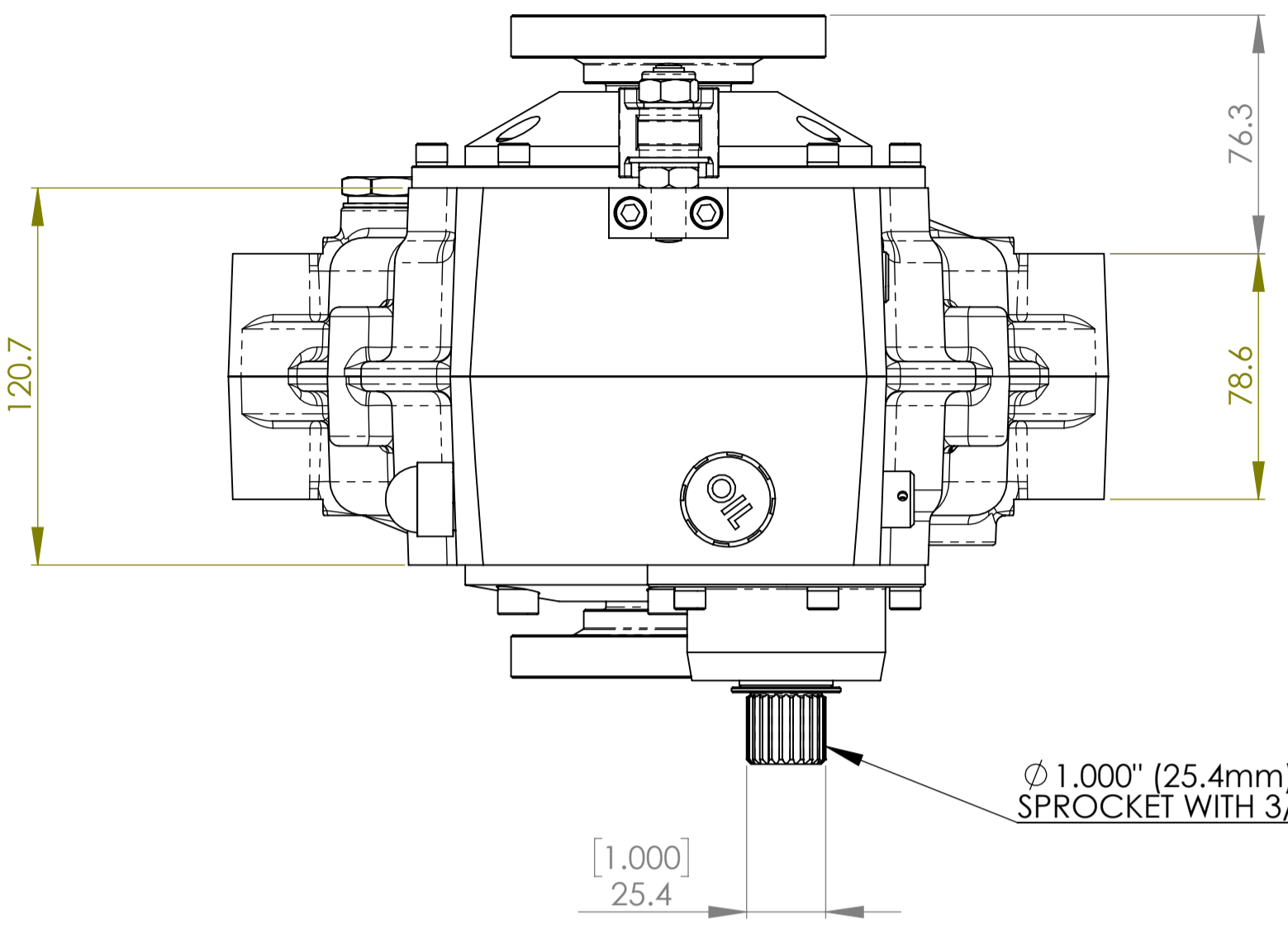


KEYED INPUT SHAFT

QUAIFE
DESIGN AND DEVELOPMENT

THIS DRAWING OR DESIGN IS STRICTLY CONFIDENTIAL AND THE COPYRIGHT THEREIN THE EXCLUSIVE PROPERTY OF R.T. QUAIFE ENGINEERING LTD. AND MAY NOT BE USED, COPIED OR EXHIBITED WITHOUT THEIR WRITTEN PERMISSION

UNLESS OTHERWISE STATED: ALL DIMENSIONS IN MILLIMETERS	TOLERANCES DIMENSIONS: 0 PLACES: ±0.25 1 PLACE: ±0.2 2 PLACES: ±0.1
GENERAL SURFACE FINISH: 1.6	ANGLES: ±0.25°
SHEET 1 OF 4	SCALE 1:2 U.O.S.
ISSUE: 01 DATE: 24.2.09	RELEASE DATE:
DRAWN BY: J.P.	CHECKED BY:
MATERIAL:	
BLANK SIZE:	
HEAT TREATMENT:	
FINISH:	
DESCRIPTION: REVERSING BOX ASSEMBLY.	
PART No.: A-2R2-01	



SPLINED INPUT SHAFT

QUAIFE
DESIGN AND DEVELOPMENT

THIS DRAWING OR DESIGN IS STRICTLY CONFIDENTIAL AND THE COPYRIGHT THEREIN THE EXCLUSIVE PROPERTY OF R.T. QUAIFE ENGINEERING LTD. AND MAY NOT BE USED, COPIED OR EXHIBITED WITHOUT THEIR WRITTEN PERMISSION.

UNLESS OTHERWISE STATED: TOLERANCES
ALL DIMENSIONS IN MILLIMETERS
 DIMENSIONS: 0 PLACES: ± 0.25
 1 PLACE: ± 0.2
 2 PLACES: ± 0.1

GENERAL SURFACE FINISH: 1.6 ANGLES: $\pm 0.25^\circ$

SHEET 2 OF 4 SCALE 1:2 U.O.S.

ISSUE: 01 DATE: 24.2.09 RELEASE DATE:
 DRAWN BY: J.P. CHECKED BY:
 MATERIAL:
 BLANK SIZE:
 HEAT TREATMENT:

FINISH:

DESCRIPTION:
 REVERSING BOX ASSEMBLY.
 PART No.: A-2R2-01