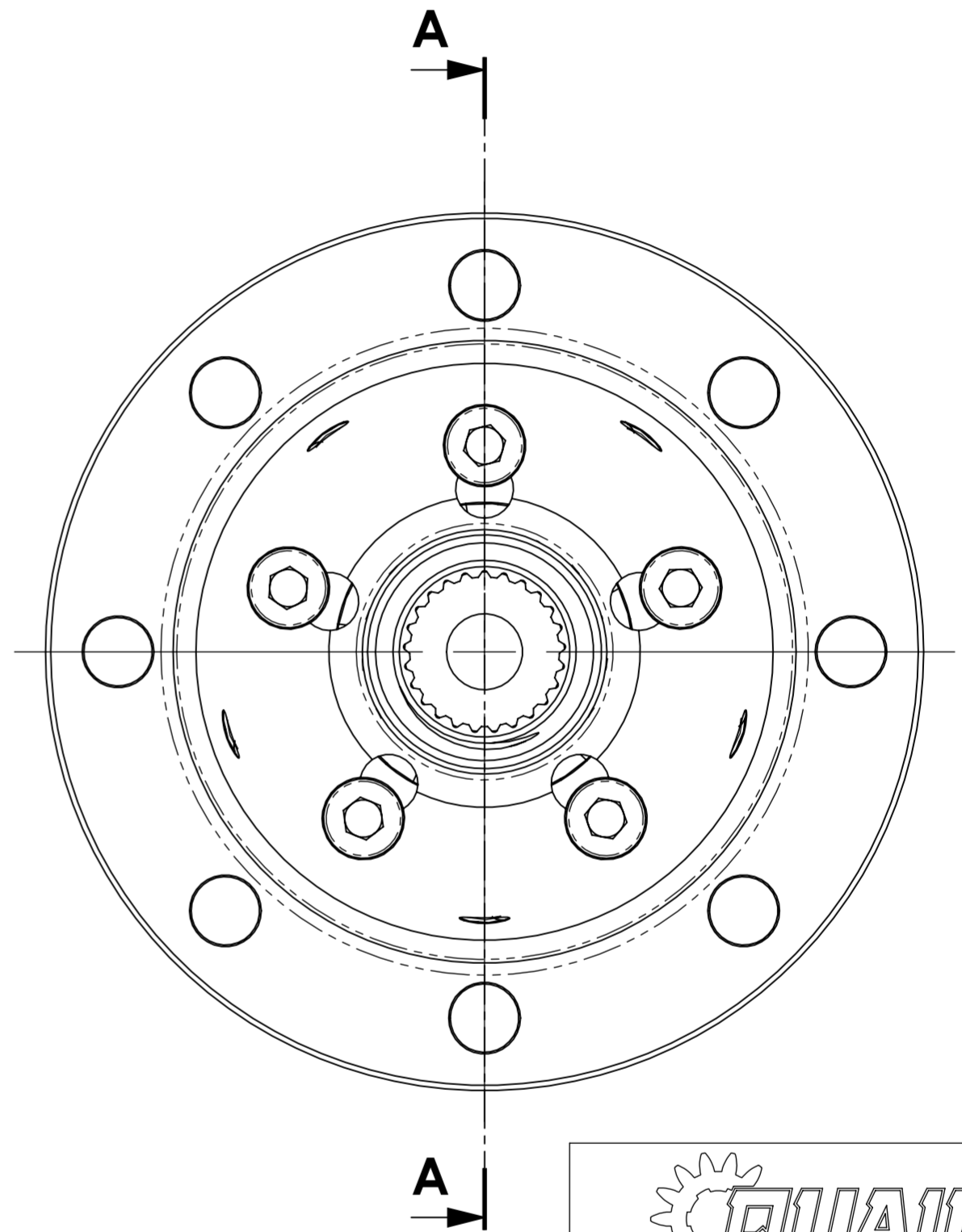
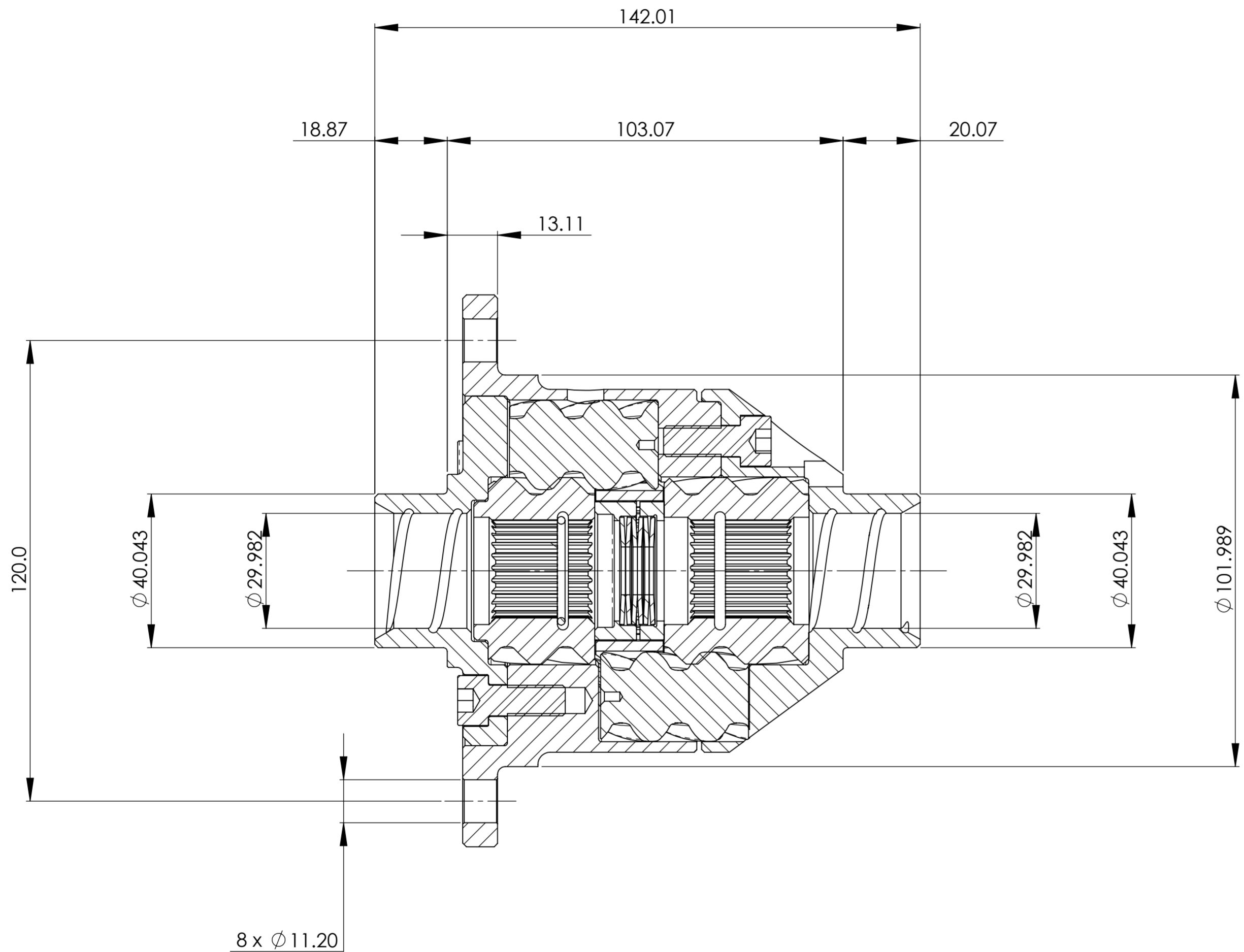


REMOVE FOR ORIGINAL



THIS DRAWING OR DESIGN IS STRICTLY CONFIDENTIAL AND THE COPYRIGHT THEREIN THE EXCLUSIVE PROPERTY OF R.T. QUAIFE ENGINEERING LTD. AND MAY NOT BE USED, COPIED OR EXHIBITED WITHOUT THEIR WRITTEN PERMISSION

UNLESS OTHERWISE STATED: ALL DIMENSIONS IN MILLIMETERS	TOLERANCES
	DIMENSIONS: 0 PLACES: ±0.25 1 PLACE: ±0.2 2 PLACES: ±0.1
GENERAL SURFACE FINISH: 1.6	ANGLES: ±0.25°

SHEET 1 OF 2 SCALE 1:1 U.O.S.

ISSUE: 01 DATE: 12.5.11 RELEASE DATE:
DRAWN BY: J.P.D. CHECKED BY:

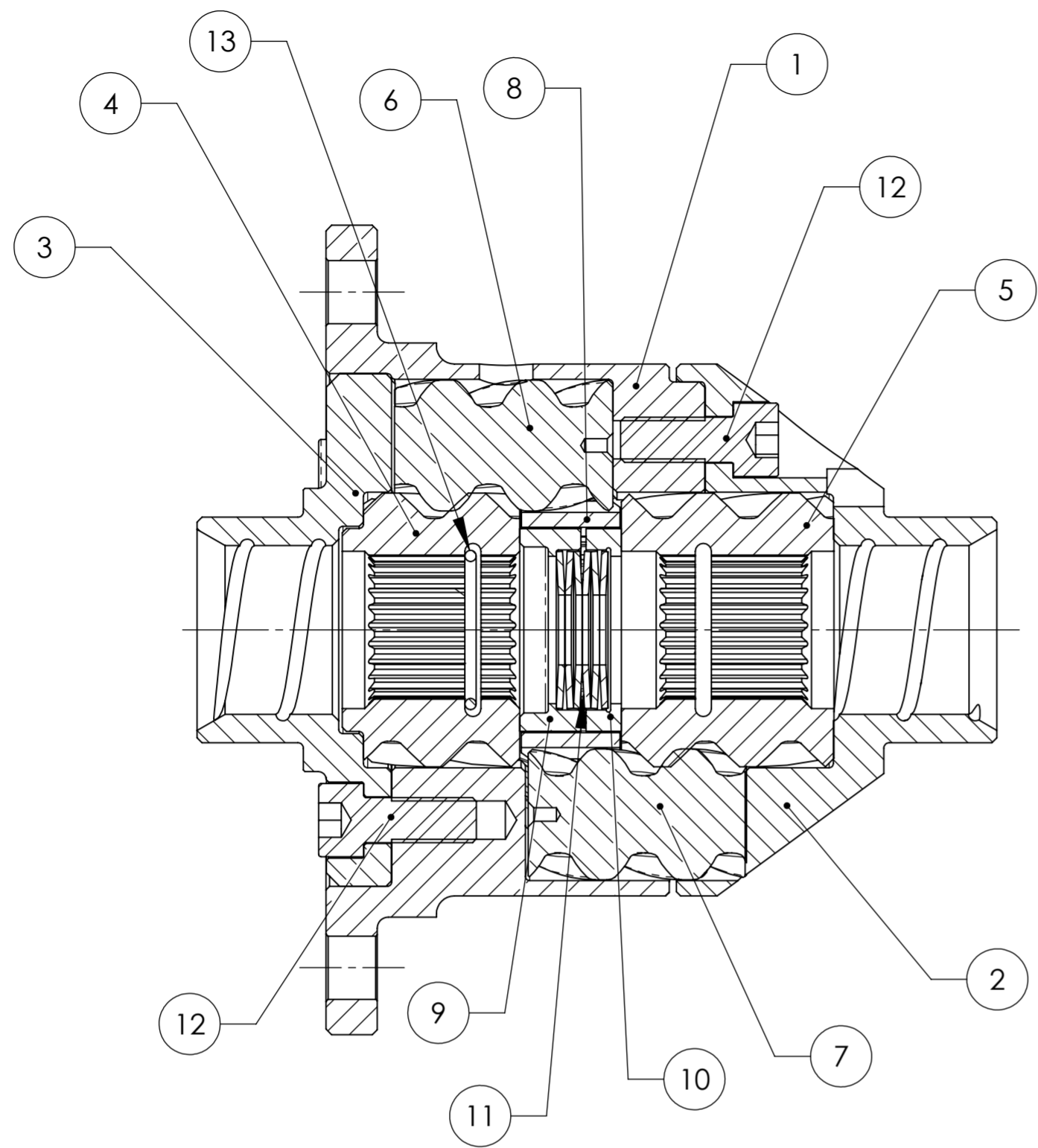
MATERIAL:
BLANK SIZE:
HEAT TREATMENT:

FINISH:

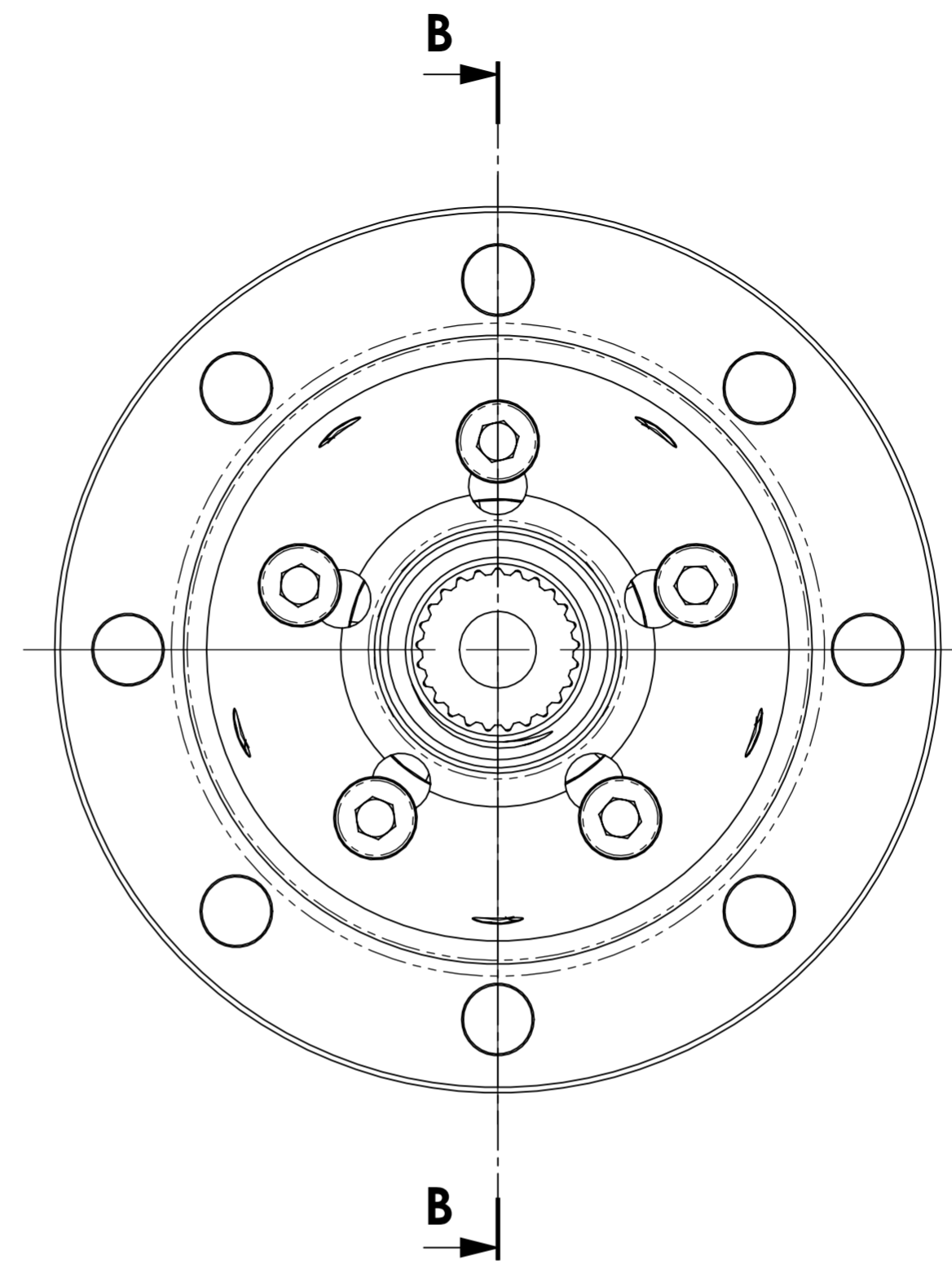
DESCRIPTION:
GENERAL ASSEMBLY

PART No.: F-16L1-01

USED IN: NISSAN SKYLINE GTR FRONT DIFF.



SECTION B-B



ITEM NO.	PART NUMBER	DESCRIPTION	QTY.
1	F-16L1-02	FLANGED BODY	1
2	F-16L1-03	COVER - SMALL END	1
3	F-16L1-04	END COVER - FLANGE END	1
4	F-3L2-04	SUN GEAR - FLANGE END, L.H. HELIX	1
5	F-3L1-05	SUN GEAR - SMALL END, R.H. HELIX	1
6	F-7Z4-18	PLANET PINION R.H.	5
7	F-7Z4-19	PLANET PINION L.H.	5
8	F-7Z5-12	CENTRE BLOCK	1
9	F-7Z5-13	SPRING HOUSING	1
10	F-2H3-16	SPRING HOUSING	1
11	498	BELLEVILLE WASHER - $\phi 28 \times \phi 12.2 \times 1.25$ METRIC SERIES	6
12	684	SOCKET HEAD CAPSCREW M8x1.25x20 LG	10
13	2068	PLAIN WIRE RING	1

USED IN: NISSAN SKYLINE GTR FRONT DIFF.

QUAIFE®
DESIGN AND DEVELOPMENT

THIS DRAWING OR DESIGN IS STRICTLY CONFIDENTIAL AND THE COPYRIGHT THEREIN THE EXCLUSIVE PROPERTY OF R.T. QUAIFE ENGINEERING LTD. AND MAY NOT BE USED, COPIED OR EXHIBITED WITHOUT THEIR WRITTEN PERMISSION

UNLESS OTHERWISE STATED: ALL DIMENSIONS IN MILLIMETERS	TOLERANCES DIMENSIONS: 0 PLACES: ± 0.25 1 PLACE: ± 0.2 2 PLACES: ± 0.1
GENERAL SURFACE FINISH: $1.6 \sqrt{\text{R}}$	ANGLES: $\pm 0.25^\circ$
SHEET 2 OF 2	SCALE 1:1 U.O.S.
ISSUE: 01 DATE: 12.5.11 DRAWN BY: J.P.D.	RELEASE DATE: CHECKED BY:
MATERIAL: BLANK SIZE: HEAT TREATMENT:	
FINISH:	
DESCRIPTION: GENERAL ASSEMBLY	
PART No.: F-16L1-01	