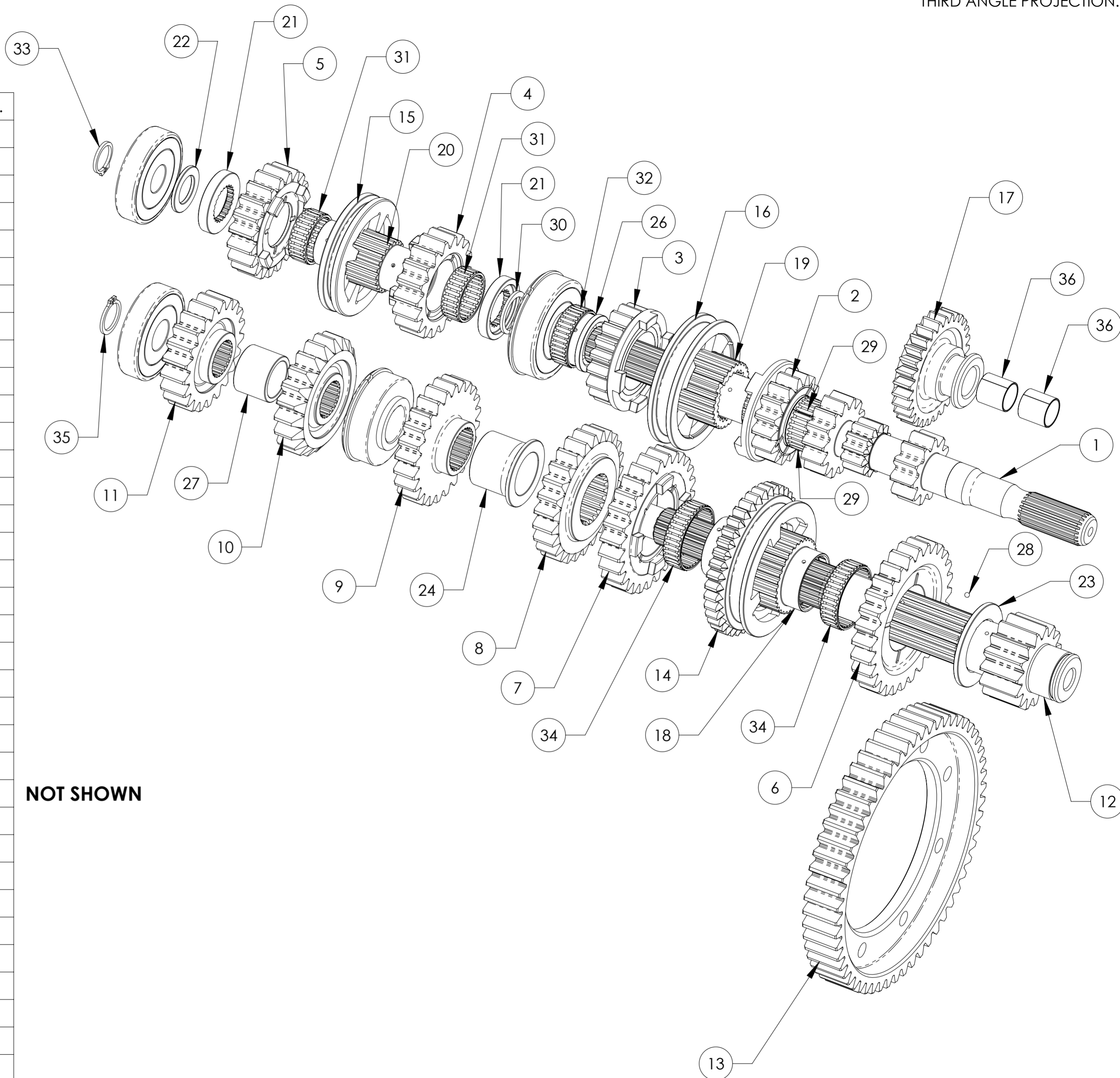


ITEM NO.	PART NUMBER	DESCRIPTION	QTY.
1	E-9E1-10	INPUT SHAFT	1
2	E-10E1-21	3RD GEAR I/P, 16T - R1.563:1	1
3	E-10E1-22	4TH GEAR I/P, 18T - R1.333:1	1
4	E-10E1-23	5TH GEAR I/P, 18T - R1.167:1	1
5	E-10E1-24	6TH GEAR I/P, 20T - R1.050:1	1
6	E-9E2-15	1ST GEAR O/P, 28T - R2.545:1	1
7	E-9E2-16	2ND GEAR O/P, 27T - R1.929:1	1
8	E-9E1-17	3RD GEAR O/P, 25T - R1.563:1	1
9	E-9E1-18	4TH GEAR O/P, 24T - R1.333:1	1
10	E-9E1-19	5TH GEAR O/P, 21T - R1.167:1	1
11	E-9E1-20	6TH GEAR O/P, 21T - R1.050:1	1
12	E-9E1-21	O/P SHAFT, 15T - R3.733:1	1
13	E-9E1-22	CROWNWHEEL, 56T - R3.733:1	1
14	E-10E1-10	DRIVE DISC 1ST/2ND INC. REV. GEAR	1
15	E-10E1-12	DRIVE DISC - 5TH/6TH GEARS	1
16	E-10E1-11	DRIVE DISC - 3RD/4TH GEARS	1
17	E-9E1-35	REVERSE IDLER GEAR - 29T	1
18	E-9E1-40	SPLINED HUB/INNER TRACK 1ST/2ND GEARS O/P SHAFT	1
19	E-9E1-41	SPLINED SLEEVE 3RD/4TH GEARS I/P SHAFT	1
20	E-9E1-42	SPLINED HUB/INNER TRACK 5TH/6TH GEARS I/P	1
21	E-9E1-43	THRUST WASHER 5TH/6TH GEAR I/P SHAFT	2
22	E-9E1-44	SPACER - 6TH GEAR/BEARING I/P SHAFT	1
23	E-9E1-45	THRUST WASHER - 1ST GEAR O/P SHAFT	1
24	E-9E1-46	SPACER, 3RD/4TH GEAR O/P SHAFT	1
25	E-8E1-03	END COVER	1
26	E-8E1-11	INNER TRACK 4TH GEAR	1
27	E-8E1-30	SPACER, 5TH/6TH O/P	1
28	225	BALL BEARING ϕ 1/8	1
29	289S	BEARING - ROLLER 30x35x17 - SPLIT	2
30	293	CIRCLIP - EXTERNAL	1
31	387	BEARING - ROLLER 30x35x13	2
32	580	BEARING - ROLLER 35x40x13	1
33	1155	CIRCLIP - EXTERNAL	1
34	1156	BEARING - ROLLER 40x45x13	2
35	1586	CIRCLIP - EXTERNAL	1
36	1666	BUSH STEEL WRAPPED	2



NOT SHOWN

NOTE:- ALL NON NUMBERED ITEMS - STANDARD PARTS

TITLE	INPUT/OUTPUT SHAFT SUB ASSEMBLY
SCALE	1:2 U.O.S. SHEET 1 OF 1
Drg. No.	E-10E1-01

IF IN DOUBT, ASK.

Quaife Design & Development.

FINISH.	MACH.	GRIND@G
LIMITS.	FRACT. \pm 1/64"	
	DEC. \pm 0.005"	
MATERIAL.		
TREATMENT.		
ISSUE.	01	DATE. 18.5.10
DRAWN BY.	J.P.D.	
Used In.	TOYOTA/LOTUS 6 SPEED DOGGED 'H' PATTERN	