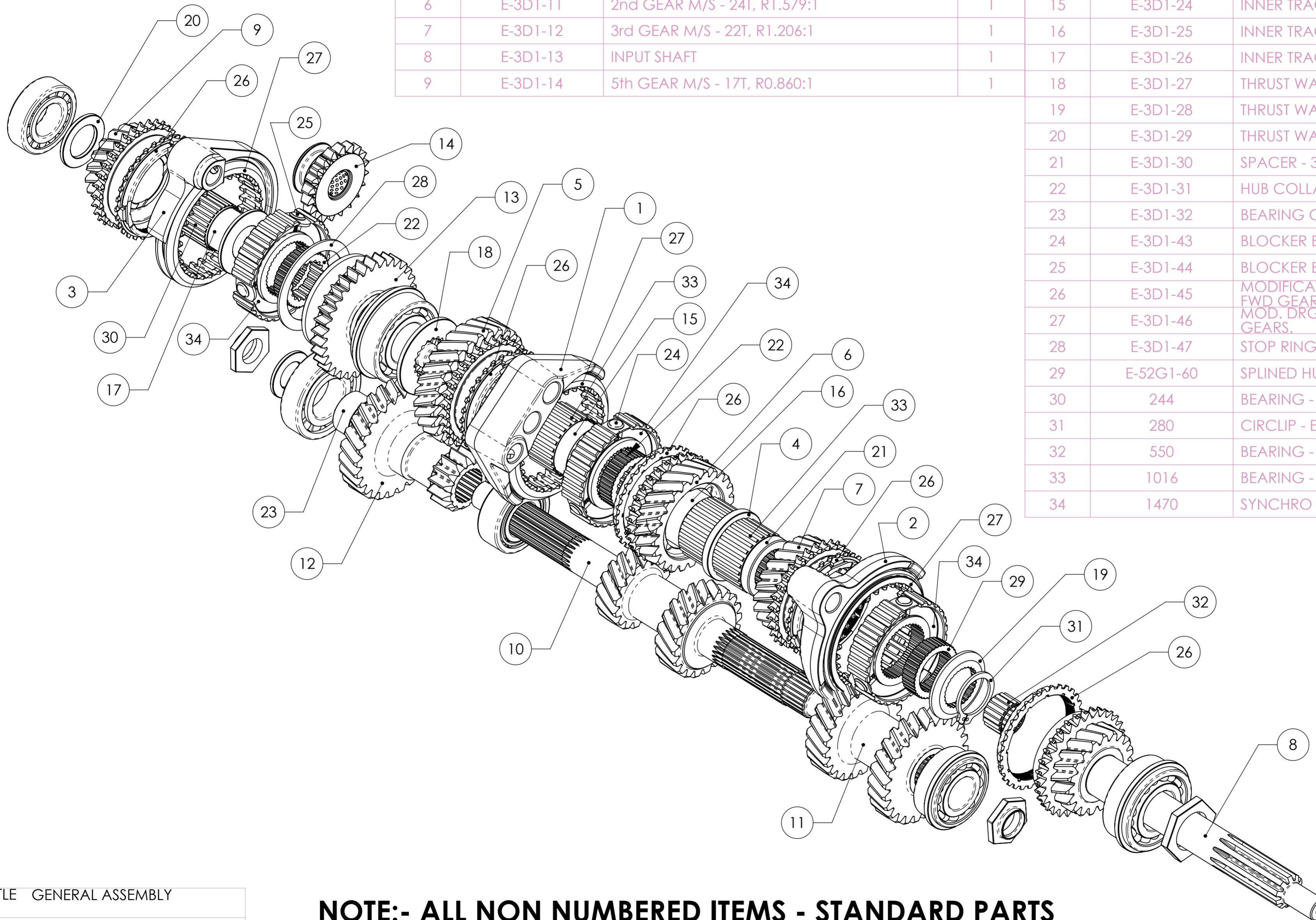


ITEM NO.	PART NUMBER	DESCRIPTION	QTY.	ITEM NO.	PART NUMBER	DESCRIPTION	QTY.
1	E-3D1-03	1st/2nd SELECTOR FORK	1	10	E-3D1-15	LAYSHAFT INC. 1st/2nd GEARS 16T/20T, R2.303:1/R1.579:1	1
2	E-3D1-05	3rd/4th SELECTOR FORK	1	11	E-3D1-16	3rd/4th GEARS L/S - 24T/25T, R1.206:1/R1:1	1
3	E-3D1-06	5th/Rev. SELECTOR FORK	1	12	E-3D1-17	5th/Rev. GEARS L/S - 26T/14T, R0.860:1/R2.357:1	1
4	E-3D1-09	MAINSHAFT	1	13	E-3D1-21	REVERSE GEAR M/S - 33T	1
5	E-3D1-10	1ST GEAR M/S - 28T, R2.303:1	1	14	E-3D1-22	REVERSE IDLER - 20T	1
6	E-3D1-11	2nd GEAR M/S - 24T, R1.579:1	1	15	E-3D1-24	INNER TRACK - 1st GEAR M/S	1
7	E-3D1-12	3rd GEAR M/S - 22T, R1.206:1	1	16	E-3D1-25	INNER TRACK - 2nd GEAR M/S	1
8	E-3D1-13	INPUT SHAFT	1	17	E-3D1-26	INNER TRACK - 5th GEAR	1
9	E-3D1-14	5th GEAR M/S - 17T, R0.860:1	1	18	E-3D1-27	THRUST WASHER 1st GEAR M/S	1
				19	E-3D1-28	THRUST WASHER - 3rd/4th HUB M/S	1
				20	E-3D1-29	THRUST WASHER - 5th GEAR M/S	1
				21	E-3D1-30	SPACER - 3rd/4th HUB	1
				22	E-3D1-31	HUB COLLAR 1st/2nd, 5th/Rev. GEAR	2
				23	E-3D1-32	BEARING COLLAR - L/S	1
				24	E-3D1-43	BLOCKER BAR 1st/2nd & 3rd/4th HUBS	6
				25	E-3D1-44	BLOCKER BAR - 5th/REV. HUB.	3
				26	E-3D1-45	MODIFICATION DRG FOR:- BAULK RING - ALL FWD GEARS	5
				27	E-3D1-46	MOD. DRG. FOR:- SYNCHRO SLIDER - ALL FWD GEARS.	3
				28	E-3D1-47	STOP RING - REVERSE BLOCKER	1
				29	E-52G1-60	SPLINED HUB SLEEVE 5TH/6TH I/P	1
				30	244	BEARING - ROLLER 30x35x27	1
				31	280	CIRCLIP - EXTERNAL	1
				32	550	BEARING - ROLLER 20x26x17	1
				33	1016	BEARING - ROLLER 40x45x27	3
				34	1470	SYNCHRO HUB ASSEMBLY	3



TITLE GENERAL ASSEMBLY
 SCALE 1:2 U.O.S. SHEET 1 OF 1
 Drg. No. E-3D1-01

NOTE:- ALL NON NUMBERED ITEMS - STANDARD PARTS

Quaife Design & Development.

IF IN DOUBT, ASK.

FINISH. MACH. GRIND@G
 LIMITS. FRACT. ± 1/64".
 DEC. ± 0.005".
 MATERIAL.
 TREATMENT.
 ISSUE. 01 DATE. 10.5.07
 DRAWN BY. J.P.D.
 Used In. ALFA ROMEO GTA