

ITEM NO.	PART NUMBER	DESCRIPTION	QTY.
1	H-4Q1-02	STEERING RACK HOUSING	1
2	H-4Q1-03	STEERING RACK	1
3	H-4Q1-04	PINION	1
4	H-2M1-16	NUT	1
5	H-4Q1-06	RACK PRE-LOAD YOKE	1
6	H-4Q1-07	END COVER	1
7	H-2M1-15	PRE LOAD BUNG	1
8	H-4Q1-05	STEERING COLUMN - PINION SLEEVE	1
9	1592	LOCK WASHER	1
10	1593	SPRING - COMPRESSION	1
11	1644	BUSH STEEL WRAPPED	2
12	1647	BEARING - BALL 15x32x9	2
13	1648	CIRCLIP, INTERNAL	2
14	1649	DISC SPRING	1

TITLE GENERAL ASSEMBLY

SCALE 1:2 U.O.S. SHEET 1 OF 2

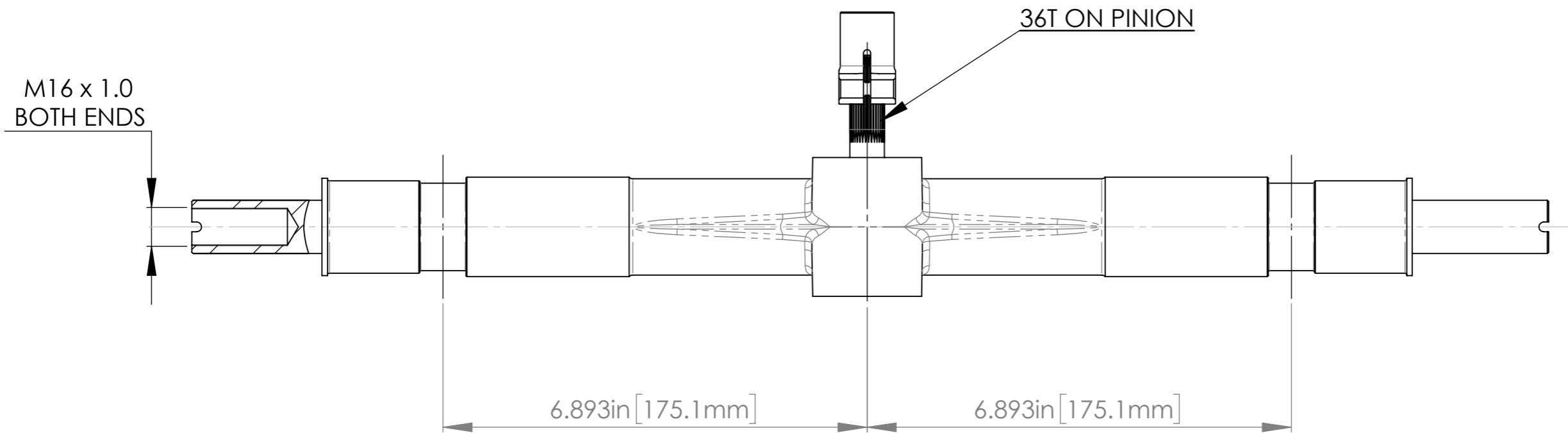
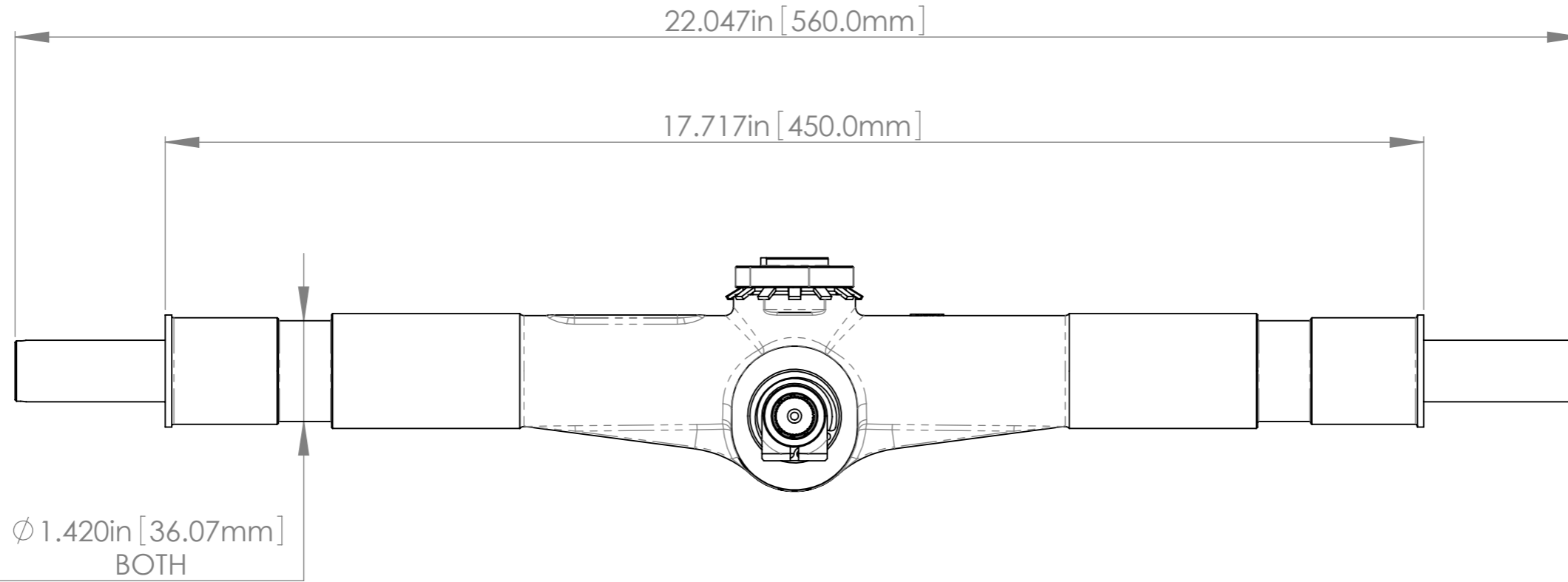
Drg. No. H-4Q1-01

Quaife Design & Development.

IF IN DOUBT, ASK.

THIS DRAWING OR DESIGN IS STRICTLY CONFIDENTIAL & THE COPYRIGHT THEREIN IS THE EXCLUSIVE PROPERTY OF RT QUAIFE ENGINEERING LTD. AND MAY NOT BE USED COPIED OR EXHIBITED WITHOUT THEIR WRITTEN PERMISSION.

Temper to 58-62 Rockwell C
 FINISH. MACH, GRIND@G
 LIMITS. FRACT. $\pm 1/64"$
 DEC. $\pm 0.005"$
 MATERIAL.
 TREATMENT.
 ISSUE.01 DATE.14/09/2006
 DRAWN BY. J.P.D. CHECKED BY. J.P.
Used In. QUAIFE CENTRAL STEERING RACK



TITLE GENERAL ASSEMBLY	
SCALE 1:2 U.O.S.	SHEET 2 OF 2
Drg. No. H-4Q1-01	

1.7 TURNS LOCK TO LOCK

Quaife Design & Development.

IF IN DOUBT, ASK.

THIS DRAWING OR DESIGN IS STRICTLY CONFIDENTIAL & THE COPYRIGHT THEREIN THE EXCLUSIVE PROPERTY OF RT QUAIFE ENGINEERING LTD. AND MAY NOT BE USED COPIED OR EXHIBITED WITHOUT THEIR WRITTEN PERMISSION.

FINISH. MACH,	GRIND@G
LIMITS. FRACT. ± 1/64".	
DEC. ± 0.005".	
MATERIAL.	
TREATMENT.	
ISSUE. 01	DATE. 14.9.06
DRAWN BY. J.P.D.	
Used In.	QUAIFE CENTRAL STEERING RACK